

Automatic screen printing press



M&R Global's Copperhead Compact AOP introduces for the first time in the world Copperhead Compact AOP - a large format printing press with a print area of 89 x 114 cm (35" x 45")

Copperhead Compact AOP is specially designed for all your All Over Printing needs. Light weight honeycomb pallets with soft top rubber pads avoid excess overheating after flashing, which is one of the key features for printers using water base and discharge inks. Squeegee pressure equalizer system ensures uniform ink deposit to achieve consistency in color reproduction. With electric printheads, tool-free squeegee/floodbar angle adjustments, pneumatic frame locks and independent squeegee/flood speeds provide operators with all the time-saving features needed for quick setups.

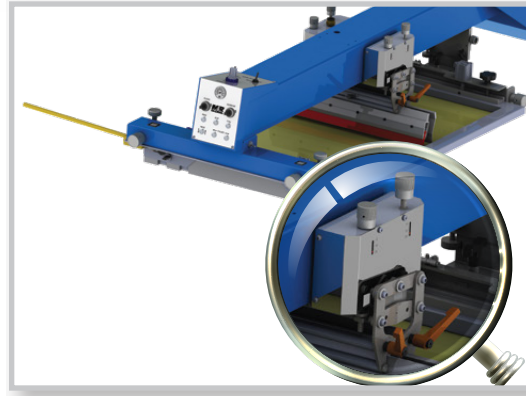
FEATURES

- **Maximum Image Size: 89 x 114 cm (35" x 45")**
- **Multiple Printing Modes**
- **Standard Front And Rear Locking Micro-registration**
- **Standard Pneumatic Frame Locks**
- **High-Resolution Touchscreen Control Panel**

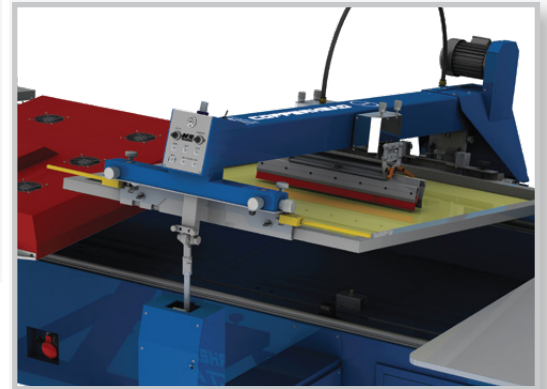
• Tool-free Adjustments • Multiple Printing Modes

Ensures consistent & strong pressure all over the print area to deliver uniform ink deposit.

By properly managing printing ink distribution, the Copperhead print head design increases print speeds to achieve higher production while using the least amount of print strokes.



The Squeegee Equalizer System



Individual pneumatic head lifts assist operators for quick and easy screen cleaning

SPECIFICATIONS	COMPACT AOP 5/2
Air @ 7 Bar (102 psi)	330 l/min (11.7 cfm)
Electrical Requirements ¹	380-415 V, 3 ph, 45 A, 50 Hz, 24 kW
No. of Pallets	2
No. of Flash Cure Units	1
Standard Pallet Size	94 x 140 cm (37" x 55")
Standard Image Size	89 x 114 cm (35" x 45")
Standard Frame Size (OD)	114 x 152 cm (45" x 60")
Machine Dimension (L x W x H)	620 x 213 x 173 cm (244" x 84" x 68")
Total Machine Weight	1370 kg (3020 lb)
Stations/Colors	5/2

¹ Use uninterruptible power supply (UPS) to safeguard machine from voltage fluctuation out of main supply. If incoming voltage differs from the voltage(s) listed in the brochure, calculate amperage accordingly. Contact M&R Global/ your nearest dealer for total amperage in case of using built-in flash sockets.

M&R Printing Equipment, Inc. • www.mrprint.com
440 Medinah Road, Roselle, Illinois 60172-2329 USA

DCC Group • www.mrprintglobal.com
802, Kamla Executive Park, JB Nagar, Andheri (E), Mumbai, 400059, India

USA: 800-736-6431 / 630-858-6101 • Outside USA: +1-847-967-4461 • India: +91 98719-88775